

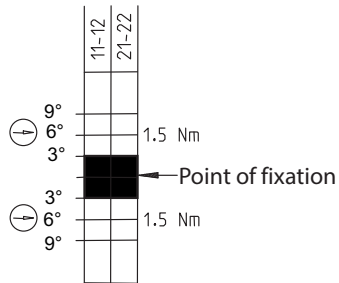
Safety switch

Series SHS3 - ASI

Description **ASI SHS3 SR R**

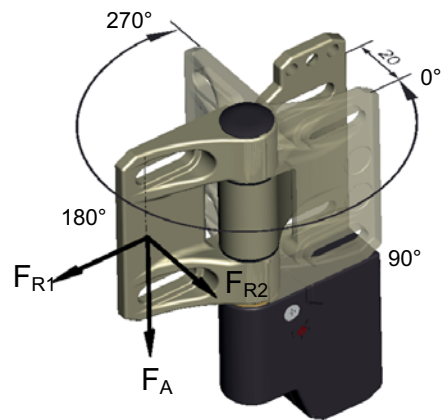
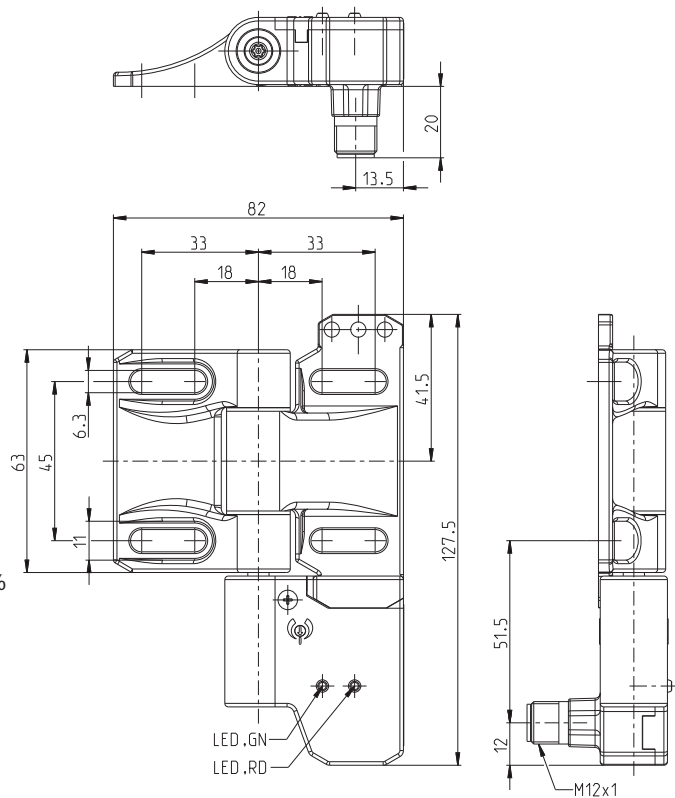
Article number **6073200013**

Operating diagram



Point of fixation is in range of 0° ... 270° free selectable.

- On
- Off
- Tolerances Switching angle (N.C.) + / - 1,5°
- Tolerances Forced disconnect torque + 10 %
- Tolerances Forced disconnect angle + 2°



Swivel range: 0° bis 270°

Notes

The degrees of protection specified (IP code) applies only to a properly closed cover and the use of an equivalent connector.

The safety guard shall always be mounted using two SHS3 at least! See max. load. If the risk assessment of the machine permits a single-channel monitoring a blank hinge can be used as bearing element.

High forces, unfavourable force application as well as dynamic loads can shorten the service life.

The manufacturer / supplier of the machine / equipment is obliged to take the applicable standards for the calculation of the safety distances of separating safety guards to hazardous areas into account.

Especially these standards apply: EN 349, EN 953, EN 1088, DIN EN ISO 13857, ...

The switch shall not be used as a mechanical stop.